

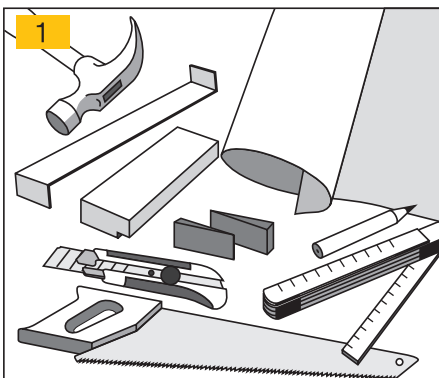
Installation instructions

Swing

Dear customer,

We thank you for purchasing our Parky floor.

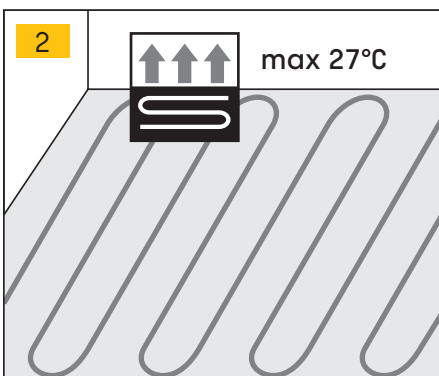
Before starting the installation, it is essential to read these instructions carefully. If these instructions are not followed, the instructor will be deemed fully responsible.



INSTALLATION MATERIALS (picture 1)

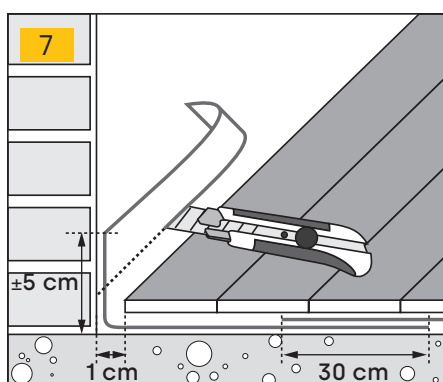
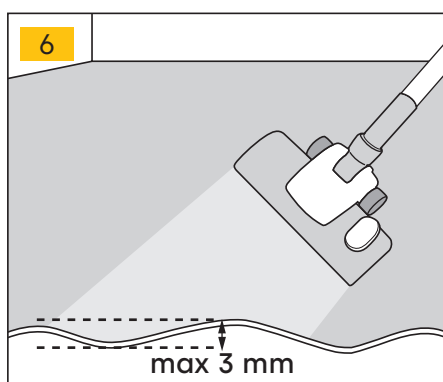
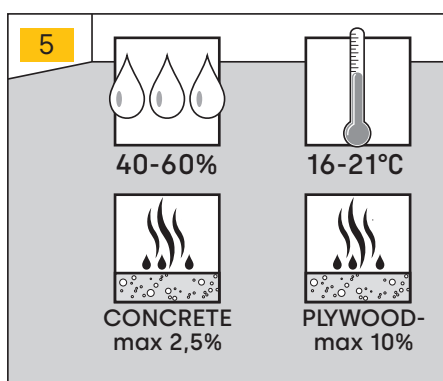
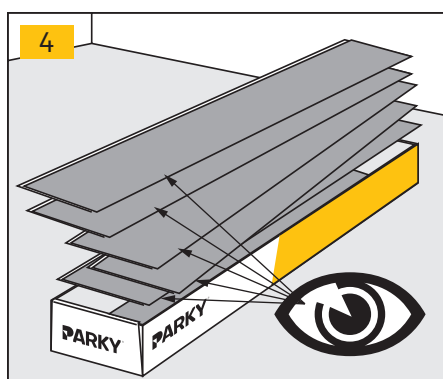
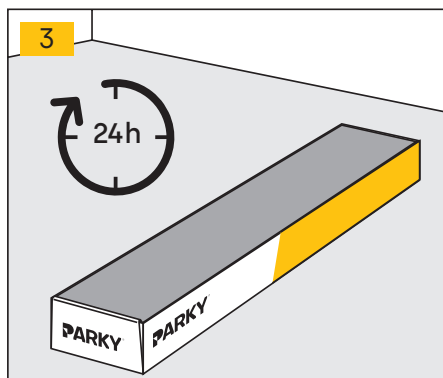
- Parky Installation Kit (Hitting block - Expansion spacer - Striking bar)
- Quality underlay:
 - Parky WITH an integrated cork layer: Damp-proof foil
 - Parky WITHOUT an integrated cork layer: Basic or Silent underlay
- Hammer
- Parky waterproof tape
- Pencil
- Saw
- Cutter
- Meter

Do not use glue, screws or nails during the installation.



UNDERFLOOR HEATING (picture 2)

Parky floors can be installed over underfloor heating. Follow the instructions of the floor heating manufacturer. The underfloor heating must be lower than 27°C (80°F). You can find our installation instructions on www.par-ky.com.



STORAGE: Store Parky floors in a perfectly dry and protected room with an air humidity of 40 to 60% and a temperature of 16 to 21° C (61-70° F). In order to prevent deformation, the boxes may not come into contact directly with the ground.

Warning: Do not open the boxes until the moment of installation.

PREPARATIONS: Put the Parky boxes in the relevant room 24 hours before installation. Put the boxes in the middle of the room and certainly not against a wall. (picture 3) Open the packs just before installation. Check every board carefully. Do not install boards with defects. (picture 4)

Remark: Veneer flooring is a natural product and therefore unique so no boards are identical. Minor variations in colour and structure are normal. Small natural marks such as knots and mineral streaks are tolerated and have no effect on the quality of the floor. We strongly advise to use the same production batch per room in order to obtain the most uniform result. You can find the production number on the backing of each board and we highly recommend not to mix 2 different batches.

Defects in the under floor have to be repaired.

The under floor must be:

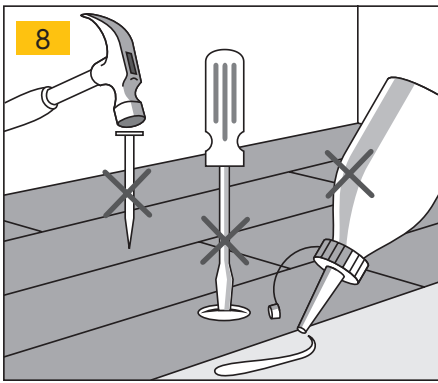
- Clean and dust free
- Sound with no loose particles.
- Flat. The maximum difference in height is 3 mm (1/8") over 2 meters (6' 9/16").
- Dry. The humidity needs to be less then 2.5% for installation in screed without floor heating, 2% in screed with floor heating, 0.6% in anhydritescreed and 10% in multiplex.

In principle, Parky can be installed on any underfloor that is solid and sound. The ideal fitting circumstances are a temperature between 16°C (61°F) and 21°C (70°F) and an atmospheric humidity between 40% and 60%. (picture 5 and 6)

UNDERLAY (picture 7)

- For the collections with an integrated cork layer, we recommend to use our 150 micron Parky damp screen under the floor. Allow an overlap of 30 cm (12"), stick the edges of the foil together with Parky moisture-resistant tape and make sure there are no holes in the foil. Put the foil 5 cm (2") up the wall to avoid moisture under the flooring.

- If your floor doesn't have an integrated cork layer, use our Basic or Silent underlay. In humid climates or when there is a humidity risk in the wall, we suggest to fold the underlay 5cm up to the wall or use waterproof tape to seal the underlay against the wall. This to avoid that humidity damages the floor.



INSTALLATION (pictures 8, 9 and 10)

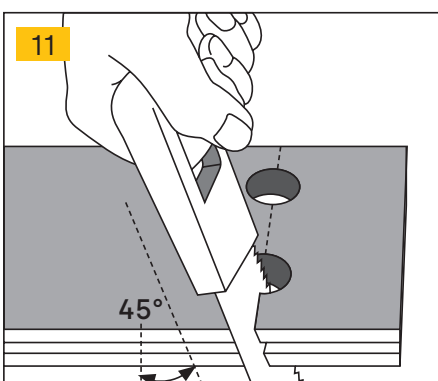
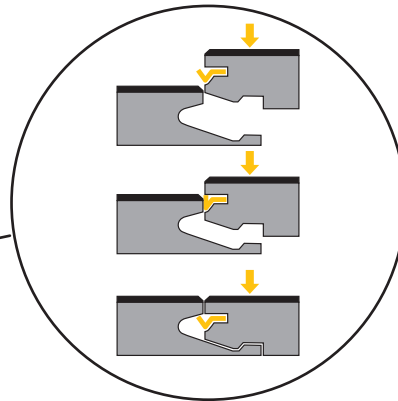
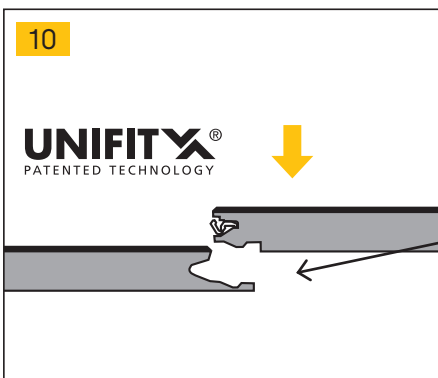
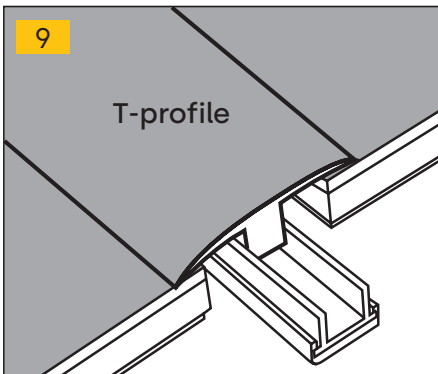
Parky uses the Unifit X® system (picture 10) for the installation of floating floors without using adhesive. The floorboards are held together using a click tongue-and-groove system.

This system allows faster, fault-free laying.

Parky is a real wood floor. Sufficient expansion gaps should therefore be left along each wall, around heating pipes, and around obstacles on the surface (for example door frames).

The minimum expansion gap is 10 mm, or 1 mm per running metre.

The expansion gaps can be covered with skirtings attached to the wall, but NEVER to the floor. For floors that are longer or wider than 10 m, an additional expansion gap must be provided using a T-profile (picture 9).



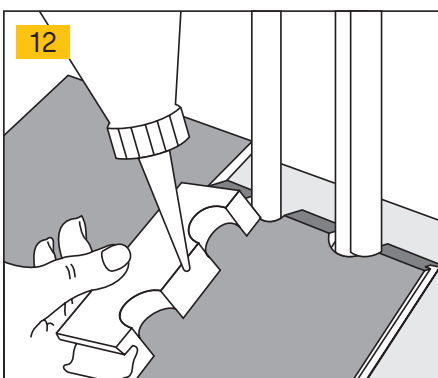
HEATING PIPES

Study the drawing carefully. It shows the best way to saw a Parky floorboard close to a heating pipe. It is important to follow these instructions to obtain the best result. The floor around heating pipes can be finished using silicone sealant. It is important that this expansion gap is also sealed properly so that moisture cannot penetrate into the Parky floor (pictures 11 and 12).

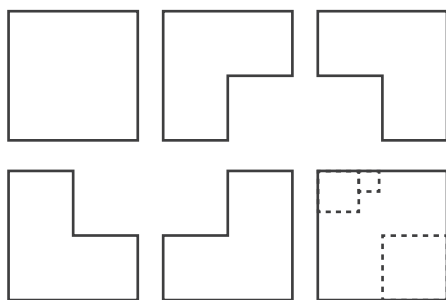
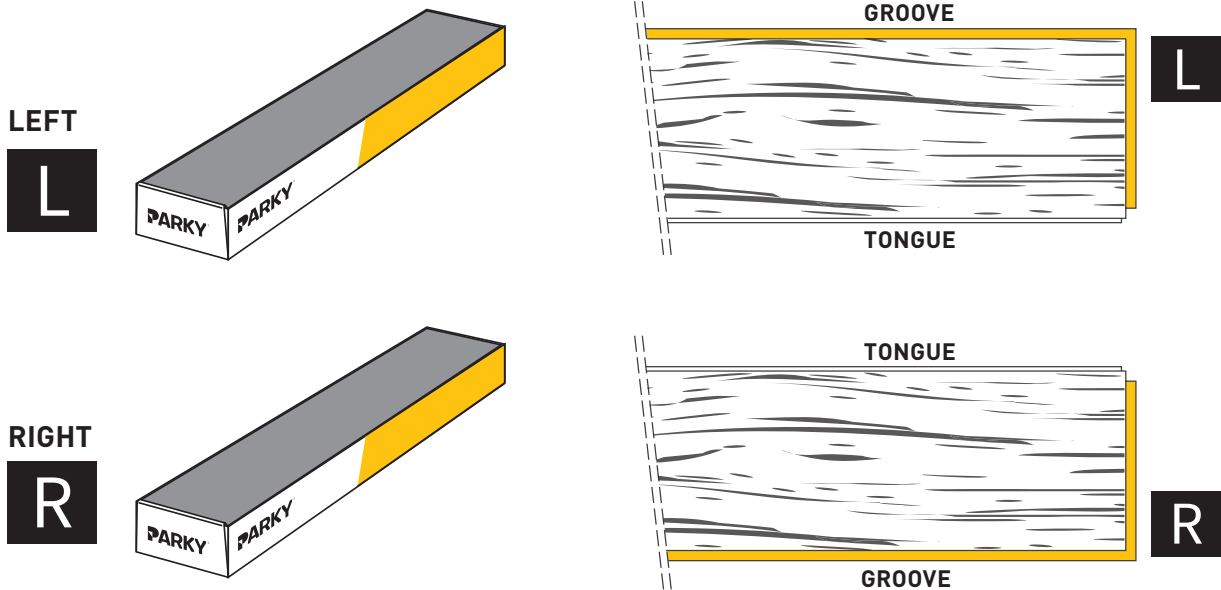
FINISHING

Because the floor is laid without using adhesive, it can be walked on straight after it has been installed. Remove all spacer blocks and fit the skirting boards. Caution: NEVER attach the skirting board to the floor, but always attach it to the wall. It must always be possible for the floor to expand and contract under the skirting. Use silicone if it is not possible to use skirting.

The general rule is that the surface must be finished in such a way that no moisture can penetrate into the Parky floor.

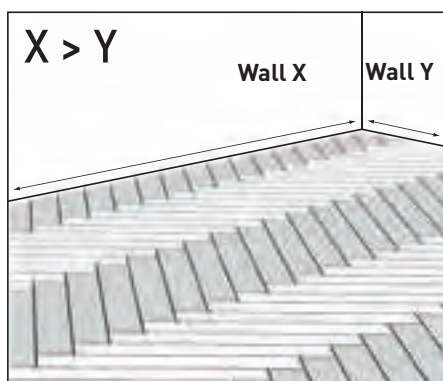


NOTE: THERE ARE LEFT-HAND AND RIGHT-HAND FLOORBOARDS



DEFINE YOUR FLOOR PLAN

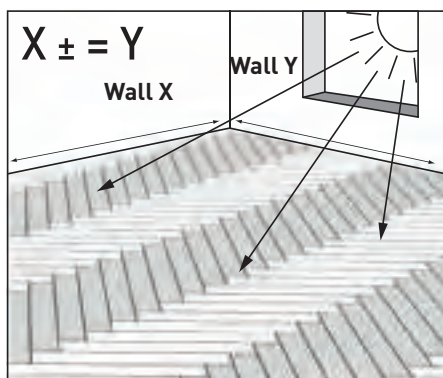
Use the Swing Calculator: patterns.par-ky.com



LAYOUT

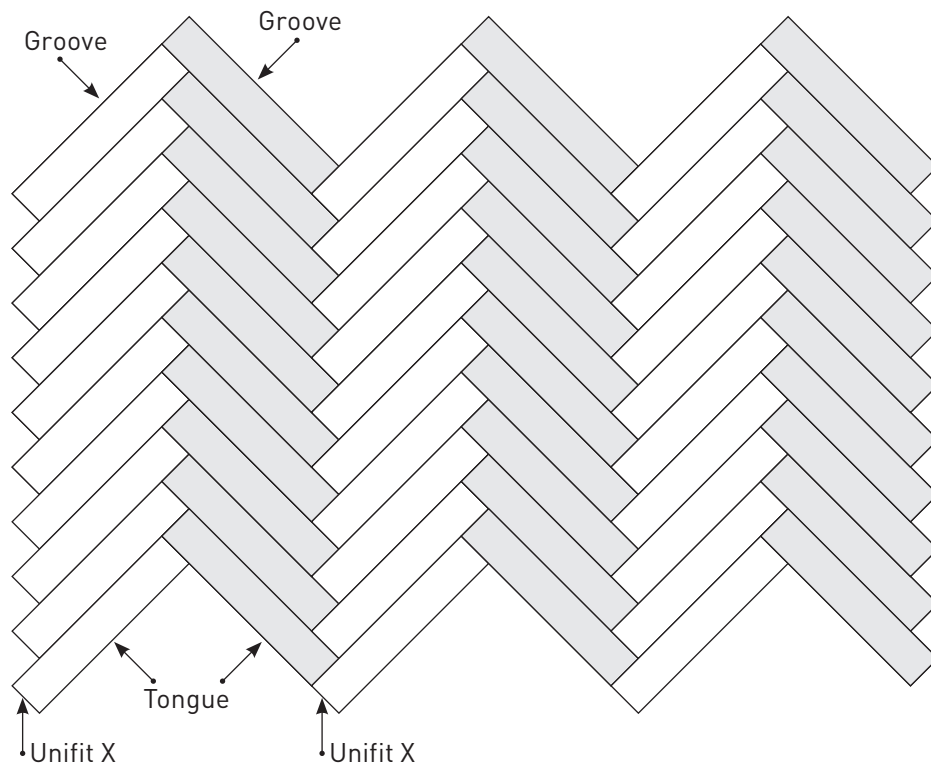
The direction of laying can be determined using the Swing Calculator. To ensure the best visual effect, we recommend that you lay the floor in the following direction:

1. The points of the herringbone pattern (the "column direction") should preferably run in the same direction as the longest wall.
2. If there is no wall that is obviously longer than the others, the points of the herringbone pattern should be aligned with the main entrance to the room.
3. If there are several entrances of equal importance, the points of the herringbone pattern should run towards the wall that lets in the greatest amount of light.

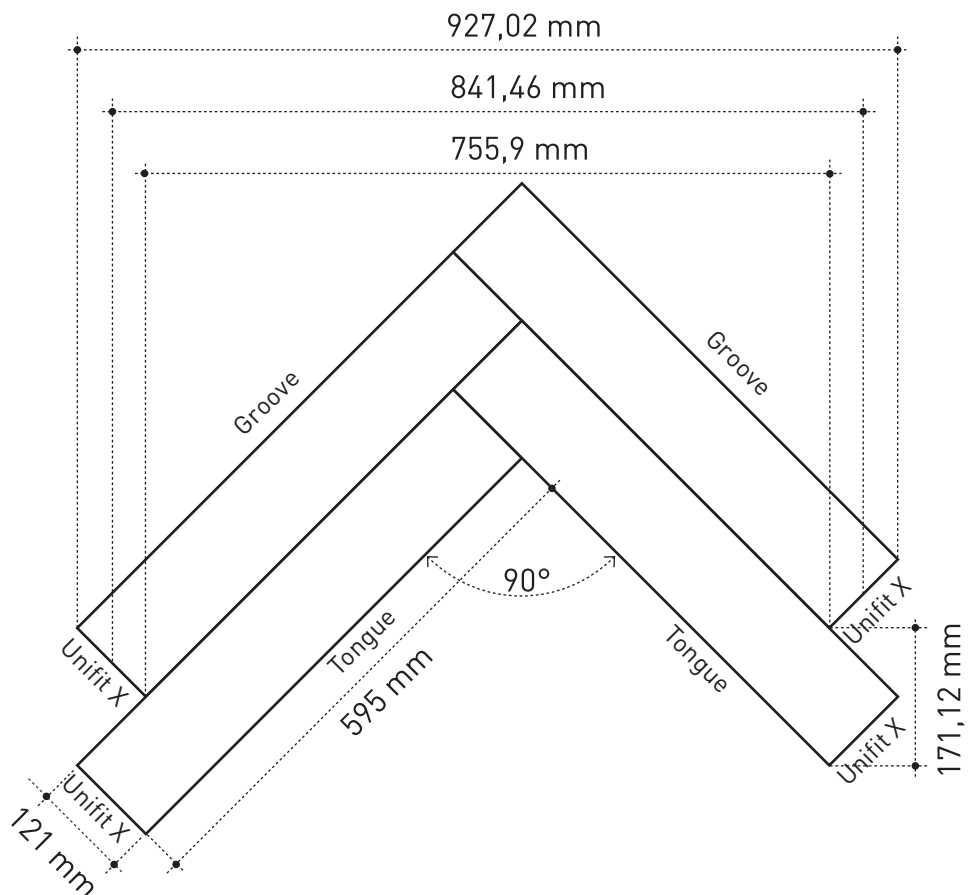


Note: Some wood types are sensitive to changes in colour if they are exposed to UV light. It is natural for colours sometimes to get lighter or darker over time. Depending on the direction from which the floorboards are viewed, a colour difference may be observed between the left-hand and right-hand boards; this is an optical effect.

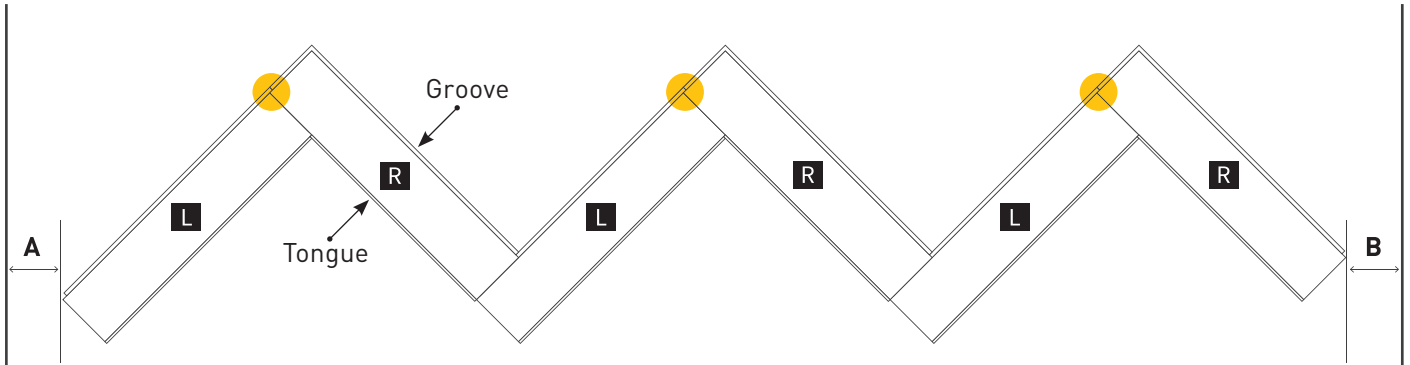
LAYING PATTERN SINGLE HERRINGBONE



DIMENSIONS

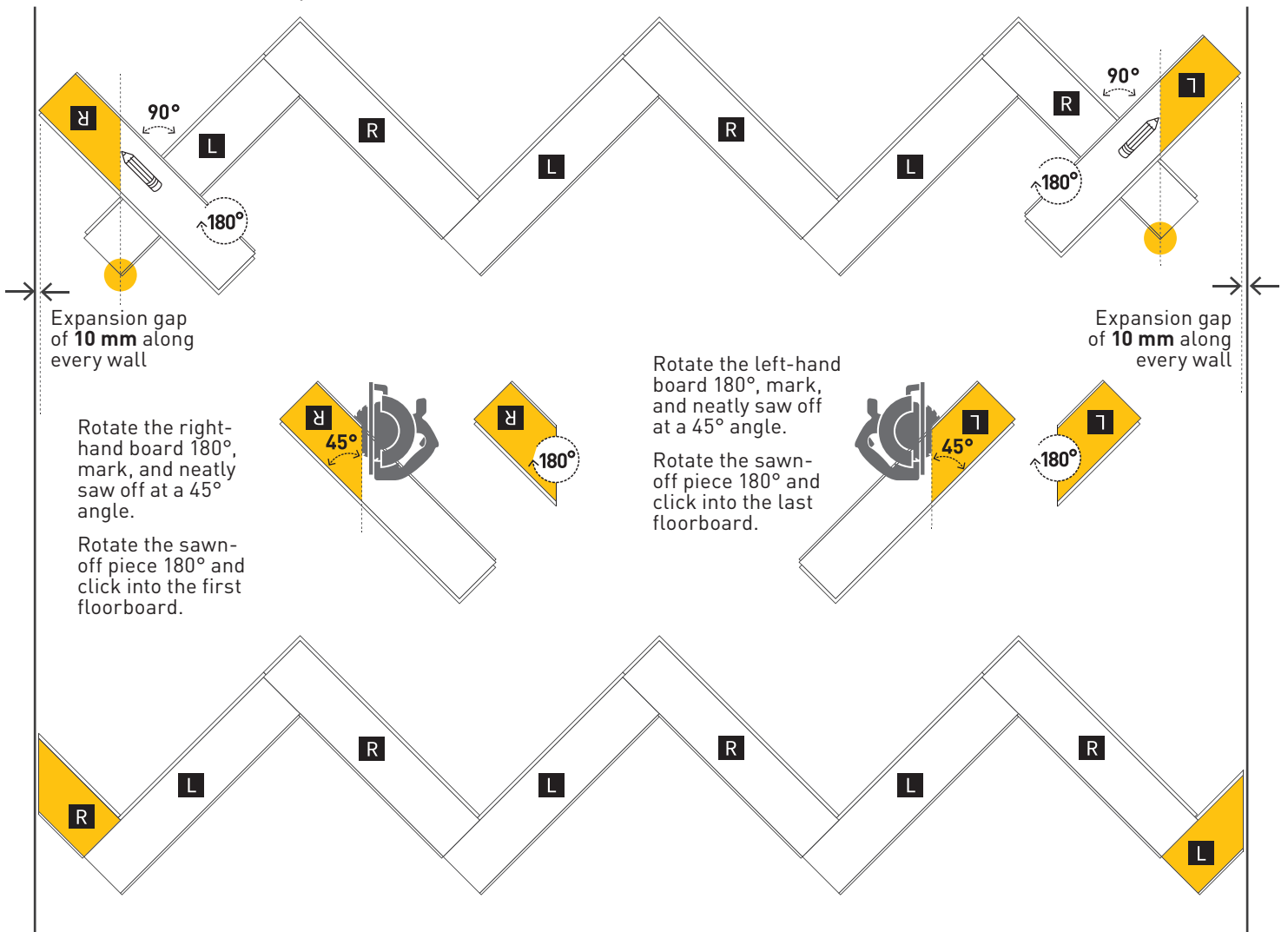


LAYING THE FIRST ROW

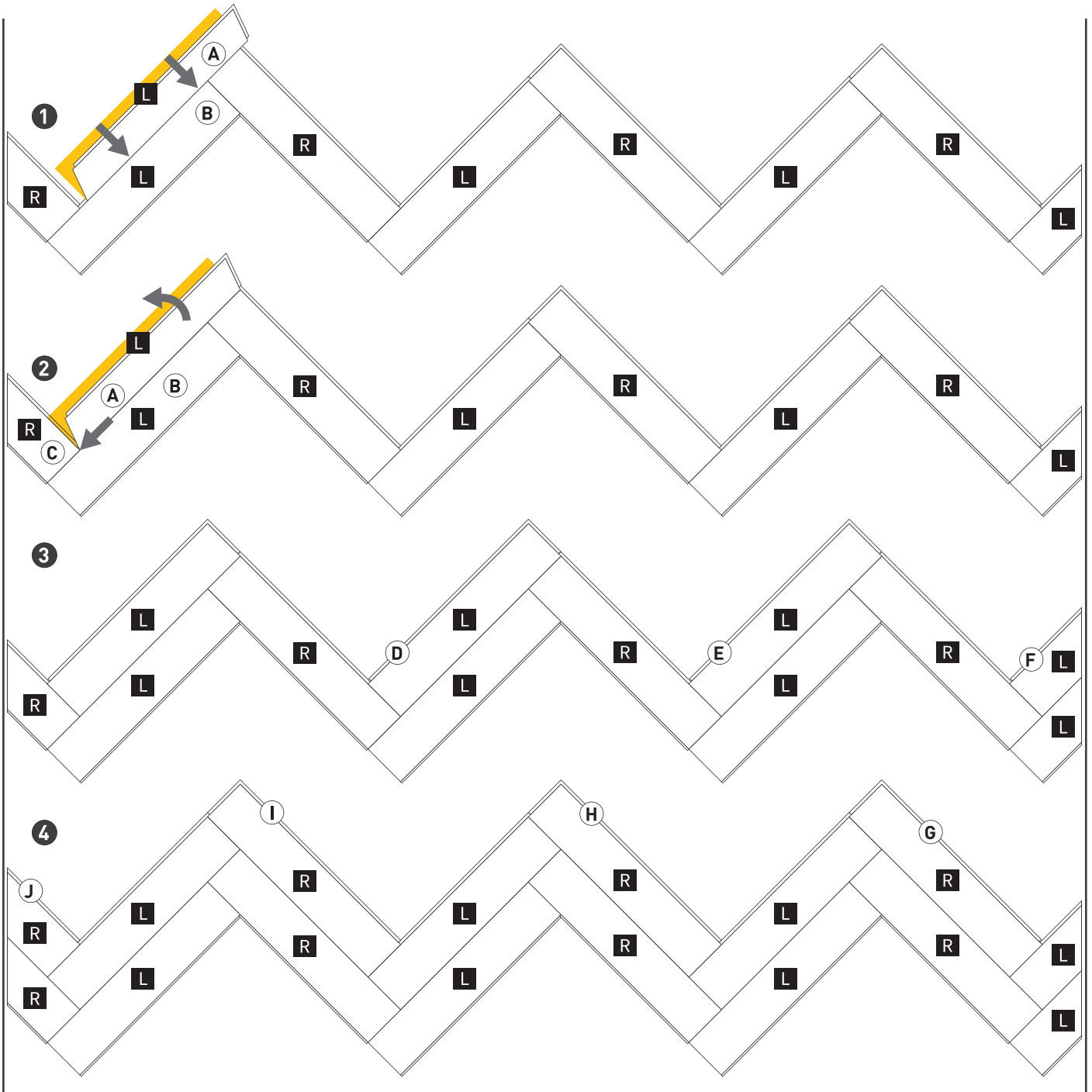


When laying the first row, make sure that the points and sides of the panels are perfectly aligned. Lay the first row right in the centre of the room, so that the distance from A and B is identical.

Finish the first row up to the wall.

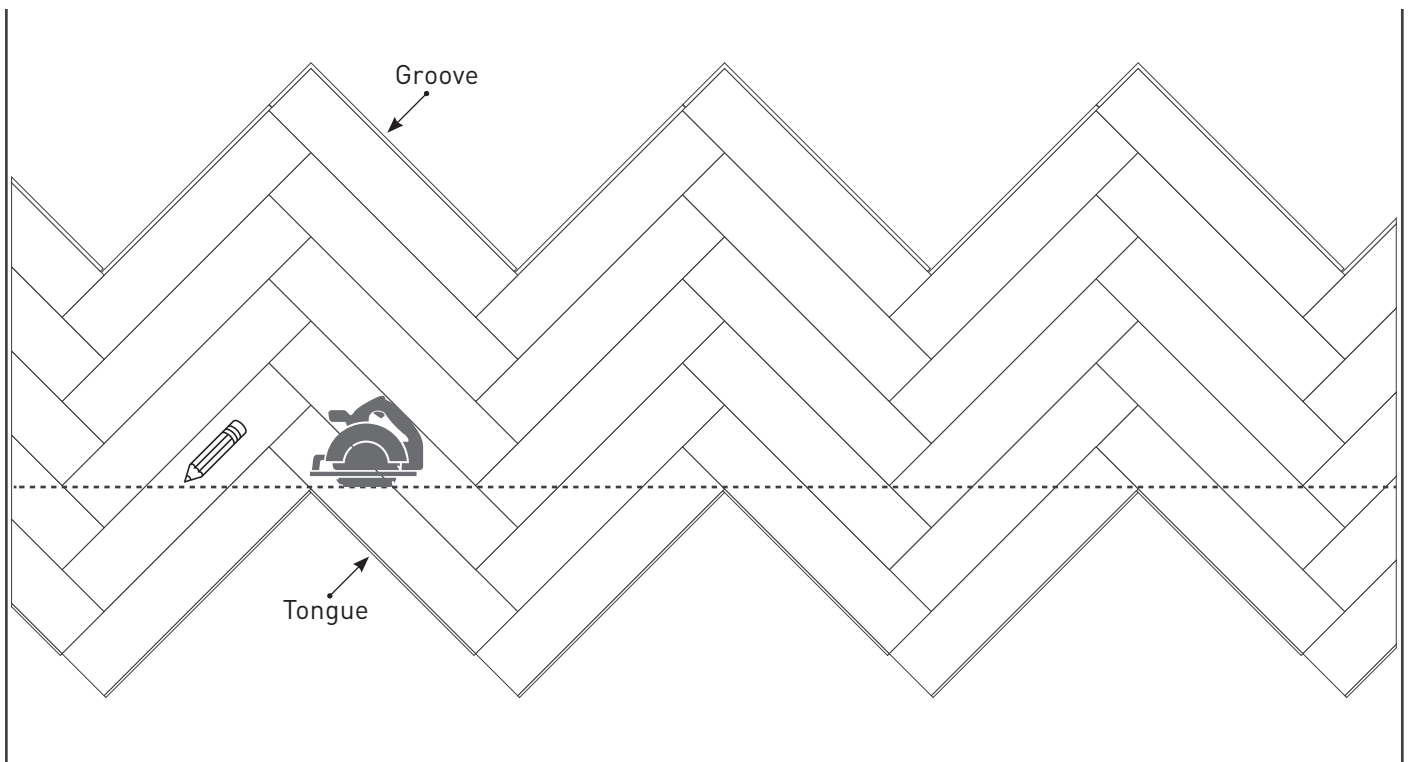


LAYING THE SECOND ROW



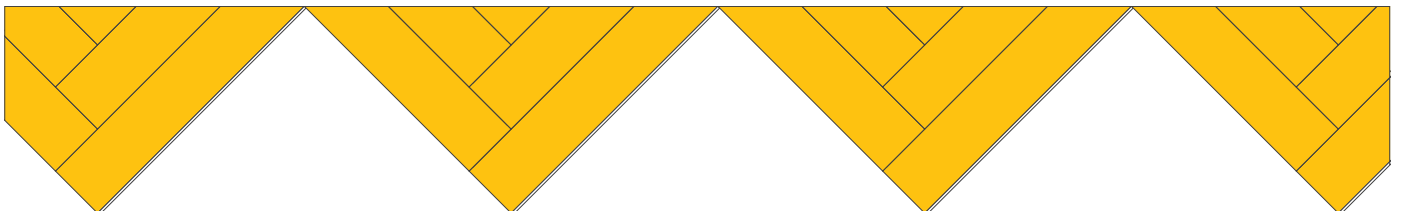
- 1 Insert (at a shallow angle) the tongue on the long side of floorboard A (left-hand board) into the groove on the long side of floorboard B.
- 2 Slide floorboard A right up against floorboard C, and push floorboard A down.
- 3 Then lay all left-hand boards (D, E, F) in the same way.
- 4 Now lay all right-hand boards (G, H, I, J)

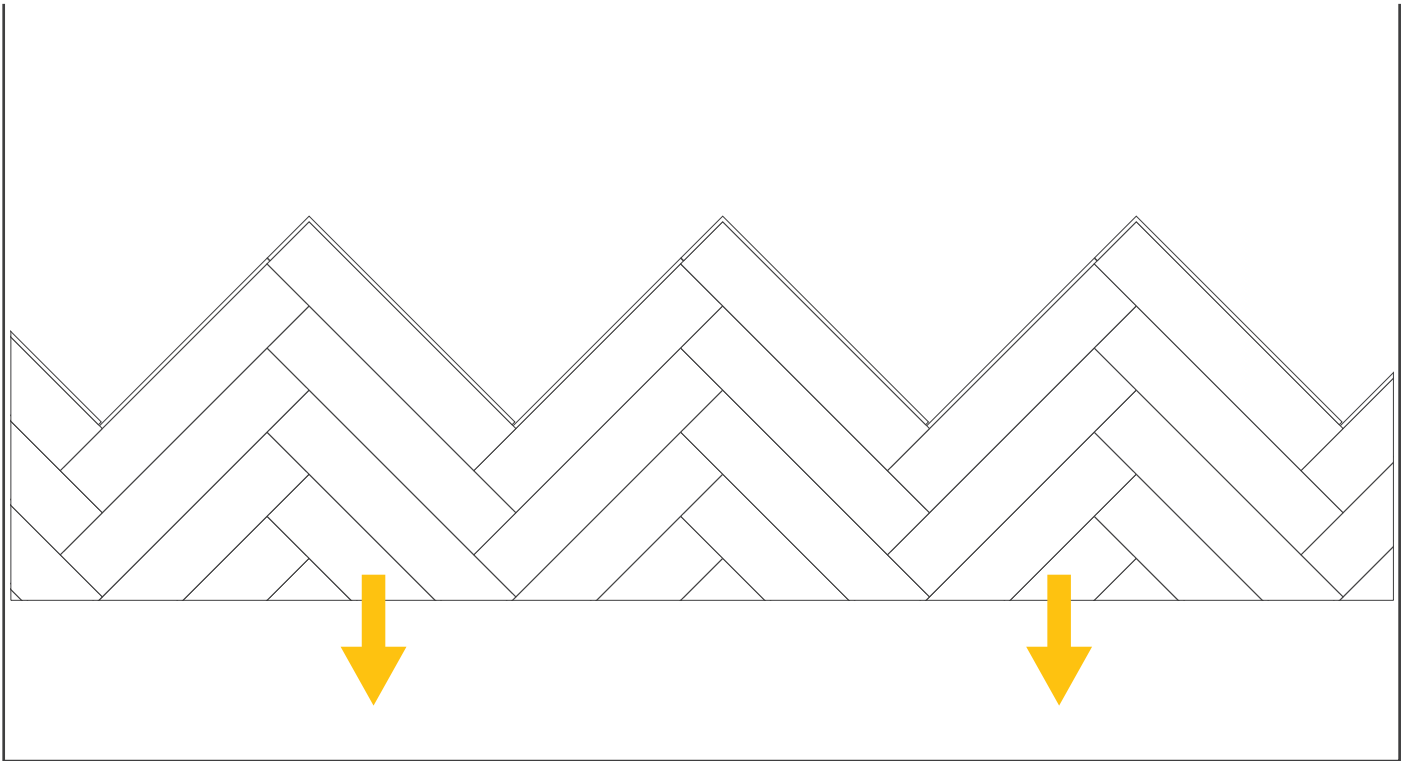
LAYING SUBSEQUENT ROWS



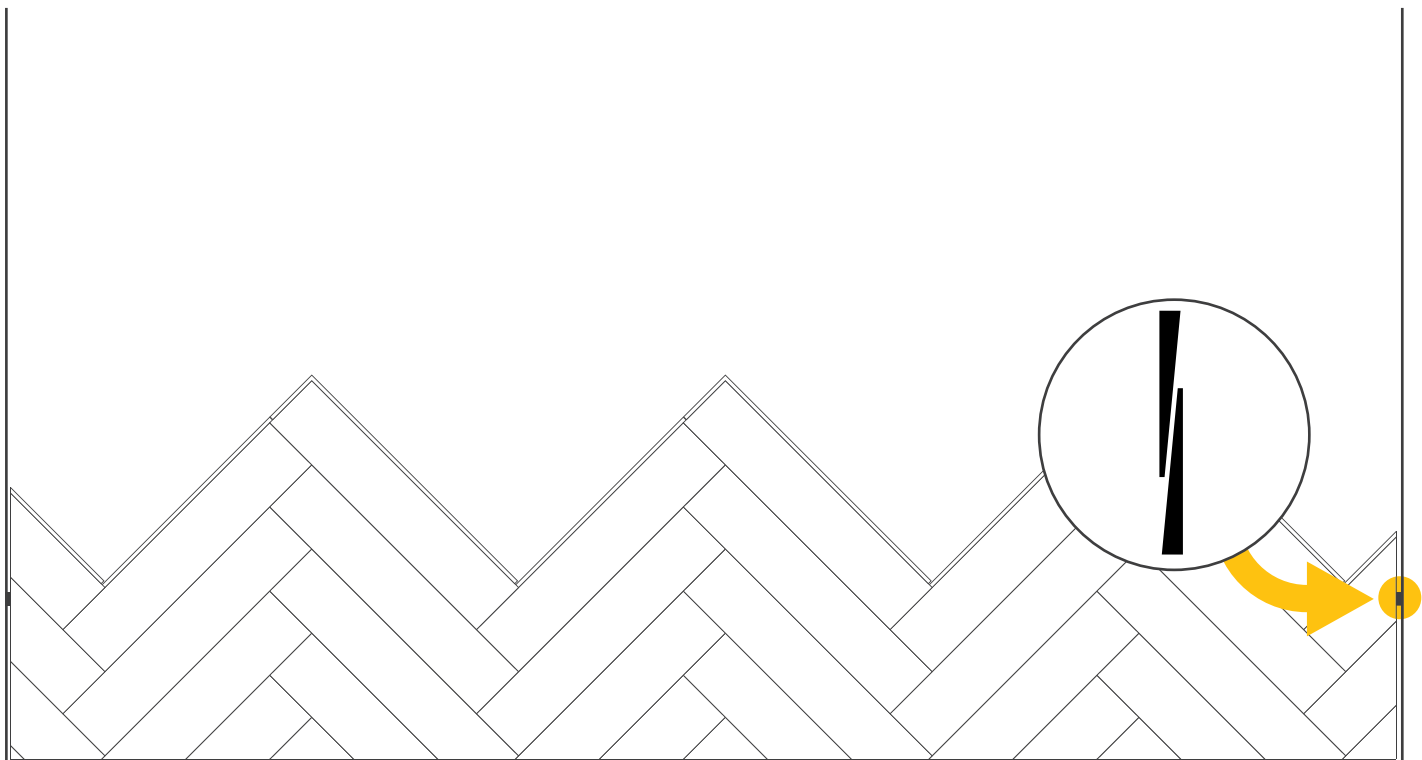
Continue to construct the floor row by row. Lay the left-hand boards first, and then the right-hand boards, on an alternating basis. Also finish the sides row by row.

After laying a number of rows, saw off the points. Put the sawn-off pieces to one side, in order to re-use them on the other side of the room.





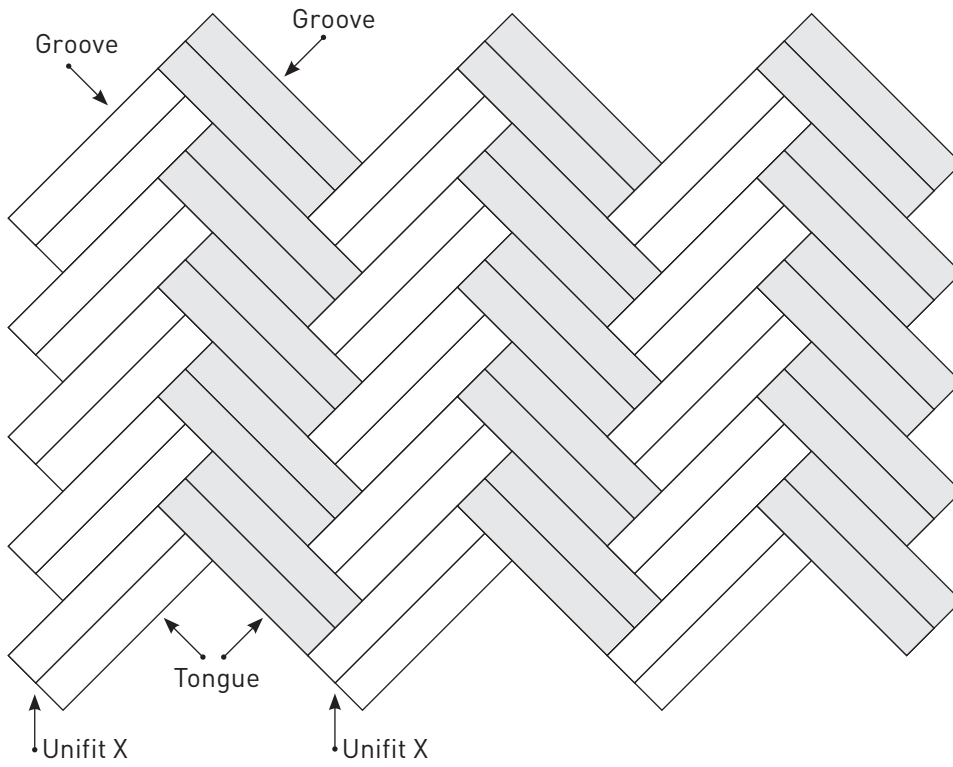
Push the sawn-off floor to 10 mm from the wall.
Place spacer blocks between the wall and the floor. Continue finishing the floor.



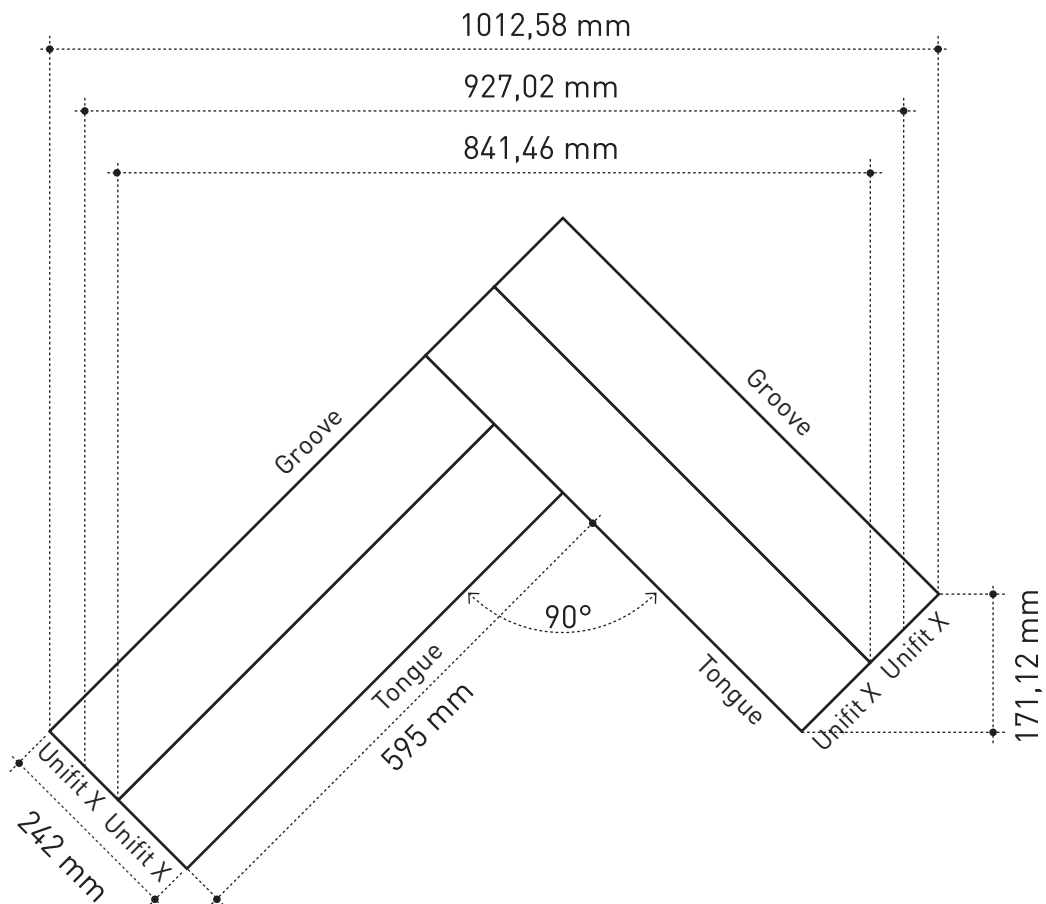
At the end, finish the room with the pieces that were sawn off at the beginning.



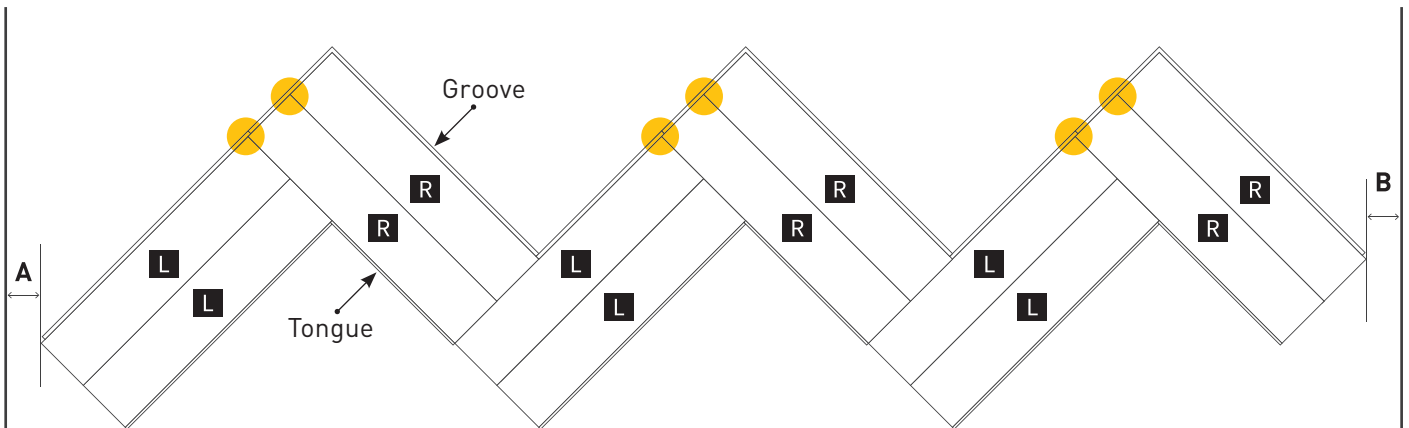
LAYING PATTERN DOUBLE HERRINGBONE



DIMENSIONS

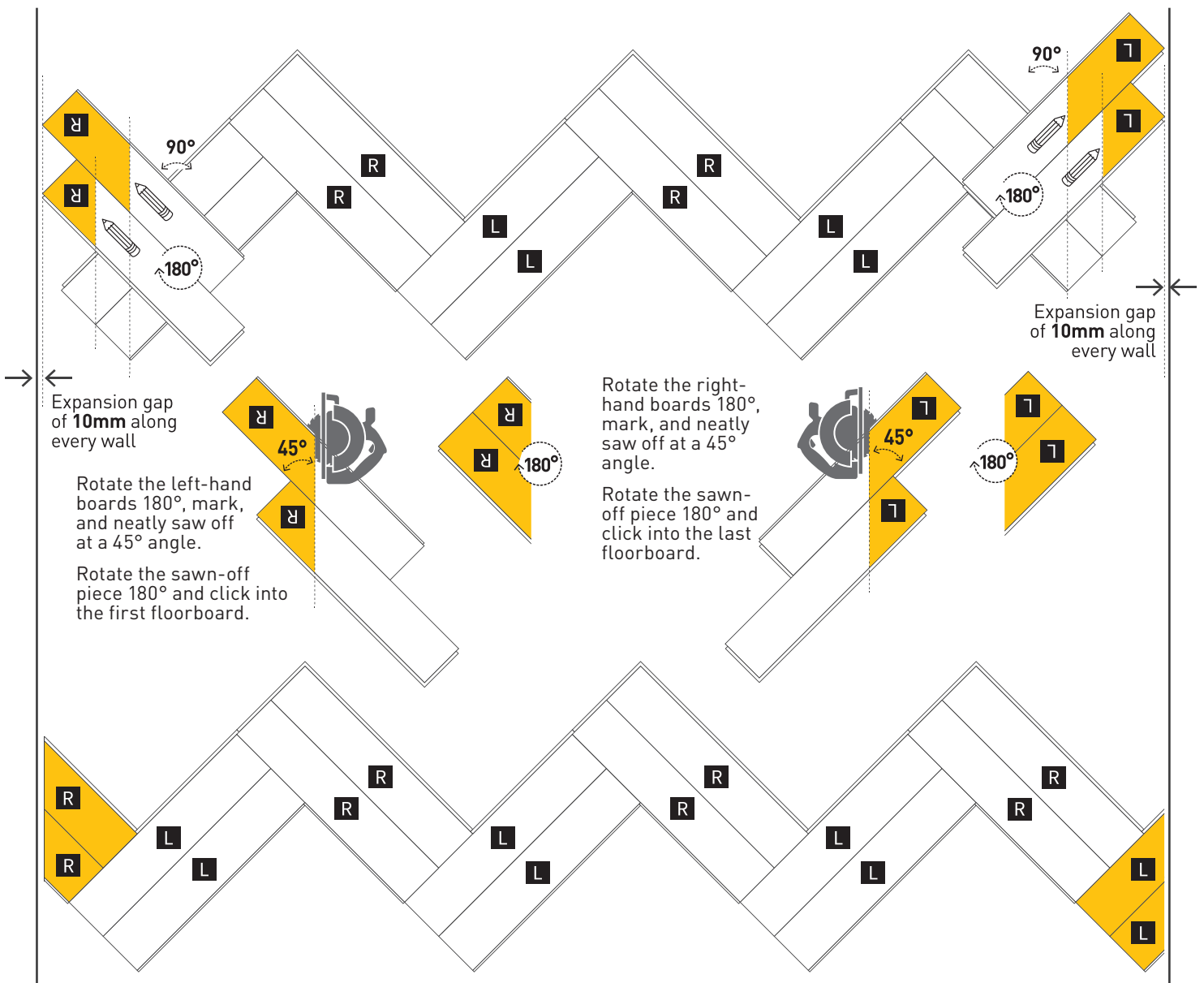


LAYING THE FIRST ROW



When laying the first row, make sure that the points and sides of the panels are perfectly aligned. Lay the first row right in the centre of the room, so that the distance from A and B is identical.

Finish the first row up to the wall.



LAYING SUBSEQUENT ROWS

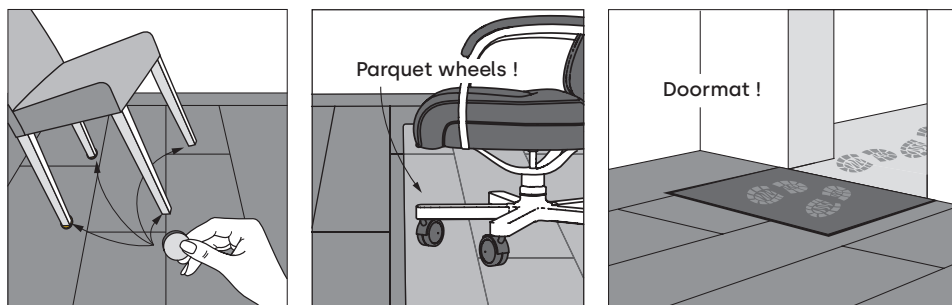
Further finishing is identical to the laying pattern for single herringbone, but with two floorboards.

MAINTENANCE AND PROTECTION

For an optimal protection of your Parky floor, put:

- **A.** Pieces of felt under the chairs.
- **B.** Parquet wheels under office chairs and a protection mat under the chair.
- **C.** A doormat if the floor is installed at the entrance.

Use the Parky cleaner to maintain your Parky floor. Parky cleaner removes the dirt without harming the lacquer and it gives your floor a nice look. Contact your dealer for stubborn spots.



PARKY[®]
It's good to live on wood

If you have any questions, don't hesitate to contact your local dealer or the head office in Belgium.

Decospan nv, Industriezone Grensland
Lageweg 33, 8930 Menen - Belgium
tel +32 56 52 88 49 - info@par-ky.com
www.par-ky.com

a product of
DECOSPAN[®]
Wood Solutions